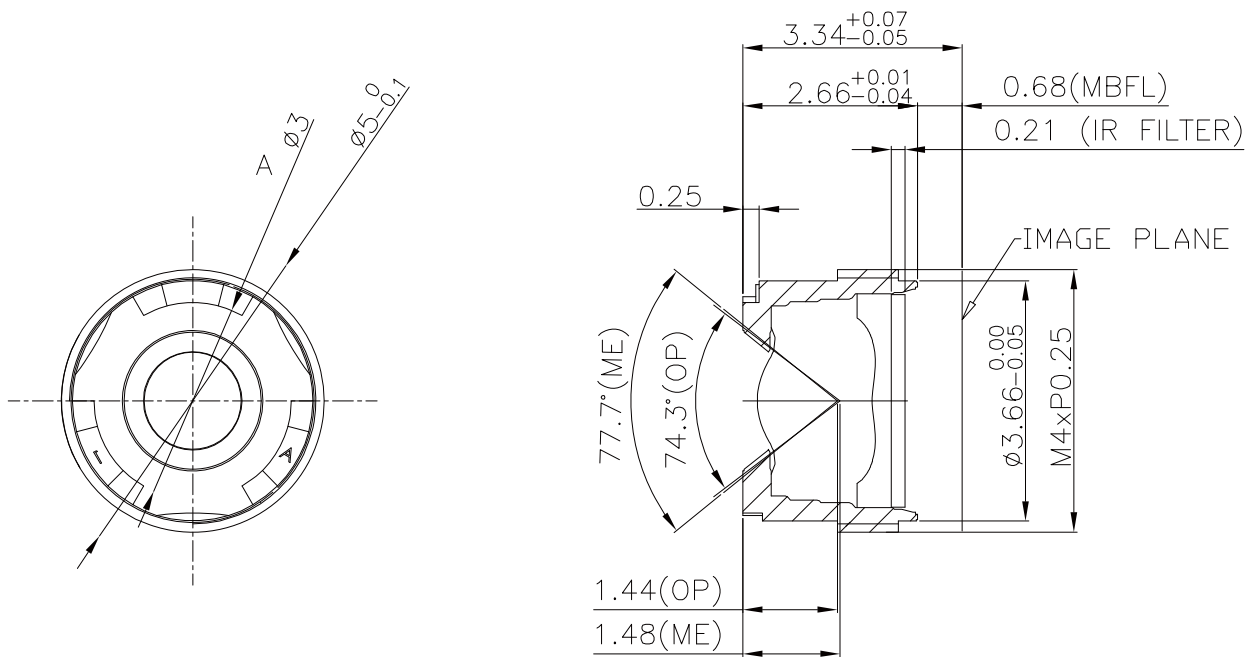


5M23422IRF-M4



5M23447IRF-M4



Unit: mm

Specification

Model	5M23422IRF-M4	5M23447IRF-M4
EFL	2.34	2.34
F/NO	2.2±5%	4.7±5%
Sensor type	1/5"	
Field Angle (D/H/V)	74.3°(D) / 63.3°(H) / 49.9°	
Image circle	3.8 mm	
Optical BFL	>0.75mm (including 0.21mm ir filter and 0.4 cg)	
TV distortion	2.4%	
Relative Illumination	>28% (1.815mm)	
Construction	3P	
Chief ray angle	<33°	
Mount	M4 x P0.25	

*NO Lens holder